

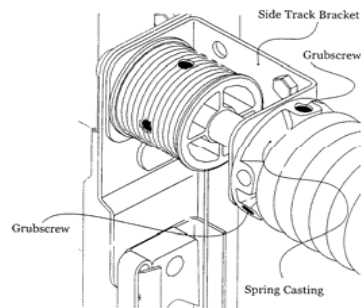
GARADOR

The Garage Door People

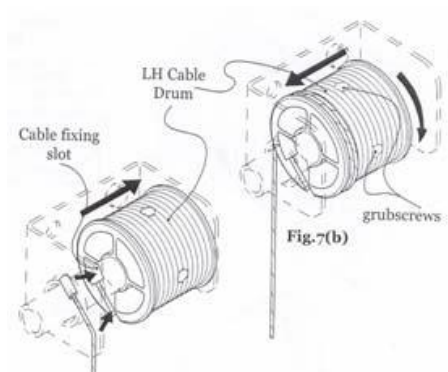
Canopy Door – Cable Repair

To complete this procedure the door must be in the closed position.

1. Tighten the two grub screws located on the left-hand side of the spring casting. The door is now in the locked position and is safe to perform maintenance and repair work.



2. Loosen the two grub screws located within the cable drum. This will allow the cable to be released from the cable drum completely.
3. Re-attach the cable into the cable fixing slot located on the far end of the cable drum. Once attached, turn the cable drum towards you, ensuring the cable follows the guide veins, until the cable is taught. Then push cable drum to its farthest away position from the spring assembly.



4. Tighten the two grub screws located within the cable drum.
5. Loosen the two grub screws located on the left-hand side of the spring assembly. The door should now be fully operational.